



Main Features

- 3MP bullet camera
- 30fps@3MP, Full HD1080P @60fps
- Advance P-Iris
- 100 dB True WDR
- IK10 vandal resistant, IP66/IP67
- Support -40°C~60°C / -40°F~140°F

ONVIF



Product Overview

NEXCOM introduces new IR vandal bullet type IP camera, offering outstanding 3MP image quality including supports zoom focus function. NCR-303-VHR IP Camera, available in indoor and outdoor using scenario, are suitable for building surveillance solution, True WDR / smart IR can overcome variation light condition continued to provide crystal clear image output. IK8/IP66 makes IP camera ideal for all kind of extremely working behavior.

Megapixel @ 60 fps

NexCam supports high-performance H.264/MJPEG compression technology and offers extra smooth video at up to 60 fps at 1080p, and 30fps @ 3MP. Furthermore, Video ROI [Region Of Interest] function reduce bandwidth and storage requirement, providing users with the best option in bandwidth flexibility and storage efficiency.



Zoom Focus

Zoom focus function allows users to remotely control focus and zoom to simplify installation and reduce labor cost. 9-22 mm focal length is available with feed-back potentiometers for auto-positioning applications. Post-installation adjustment can be done quickly and painlessly, without the need to tear down and reinstall the camera.

True WDR

The True WDR (Wide Dynamic Range) feature can be very helpful to cope with very challenging lighting conditions. It is capable of capturing both of the dark part and bright part then combining the differences into a scene to generate a highly realistic image. It preserves as much information in the video as possible; the NexCam true WDR IP Camera helps to provide video quality closer to the capabilities of the human eye. Consequently, it is largely applied in high contrast environments such as lobby entrances, parking lots, ATM's and loading areas.

Smart IR

Smart IR is superior to the conventional IR by automatically adjusting IR strength in response to the distance of the object in view. The closer the object, the dimmer the IR will be. This will avoid object over-exposure commonly seen in cameras using conventional IR functions. Over-exposure makes it almost impossible to accurately recognize human faces or other vital characteristics.

P-Iris

P-iris function works by a stepping motor controlled via software to automatically provide the best iris position for best exposure time in all lighting conditions. The Result is a clearer image with better contrast and depth of field.

Specifications

Camera General Information

Image Sensor	1/3" 3MP True WDR progressive scan CMOS sensor
Minimum Illumination	B/W 0 lux/Color 0.1 lux
Lens	Motorized (9-22mm, F1.5) lens
Field of View	Horizontal: 12.5°~29.4° Vertical: 9.7°~24.8° Diagonal: 16.1°~36.5°
Iris Type	P-Iris
Day and Night	YES (True D/N)
IR Distance	Effective up to 50 meters
IR Wavelength	850nm
IR Control	Smart IR
ICR	YES
WDR	YES (True WDR)
Image Enhance	Brightness, Contrast, Saturation, Sharpness, Mirror, Flip, Day/Night, Anti-flicker,AWB

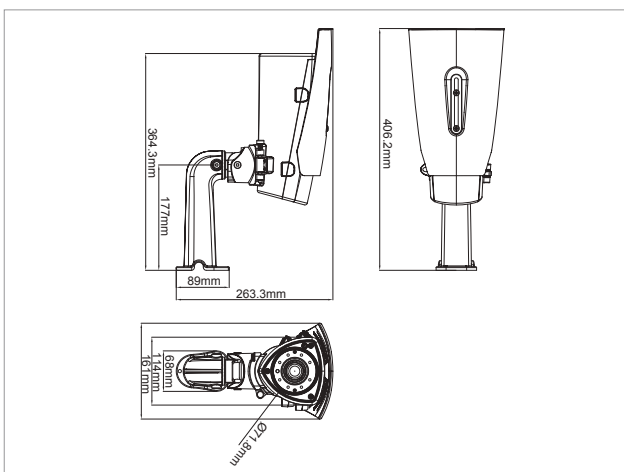
Video

Video Compression	H.264/M-JPEG
Video Streaming	Triple streaming
Video Resolution	2048x1536 to 320x240
Video Quality	VBR/CBR
Frame Rate	2048x1536 @30 fps 1920x1080 @60 fps 1280x720 @30 fps 720x576 @30 fps 720x480 @30 fps 640x480 @30 fps 320x240 @30 fps

Audio

Audio Streaming	Two-way
Audio Compression	G.711 8KHz/16 bits
Audio Input	Line-in
Audio Output	Line-out

Dimension Drawing



Network

Interface	10/100/1000 Mbps Ethernet, RJ-45
Supported Protocols	HTTP, TCP/IP, UDP, RTP, RTSP, FTP, SMTP, DHCP, DNS, DDNS, NTP, uPnP, ONVIF, IPv4/v6
Browser	Internet Explorer (support up to IE 10), Chrome, Firefox, Safari
Security	Multi-level passwords/HTTP encryption

I/O Connector

Audio in/ out Port	3.5 mm phone jack x2
D I/O	DIX1, DOx1
RS485	N/A
Micro SD Card Slot	YES
RJ45	YES

Event Management

Event Trigger	Motion detection, DI
Notifications	Trigger alarm output, email/FTP and record video to PC or SD card
Post Recording	YES
Pre Recording	YES

Power

DC/AC	DC12V/AC 24V terminal block
PoE	YES/IEEE 802.3af

General

Power Consumption	13W max.
Weight	2005g
Dimension	406.2mm (D) x 161mm (W) x 263.3mm (H)
Operating Temp.	-40°C~60°C /-40°F~140°F
Humidity	90%RH (no condensation)
Certification	CE/FCC
Vandal Resistant	IK10
Weather Proof	IP66/IP67
Application	SDK available for application development

Packaging Information

NWT	2005g
GWT	2091g
Dimension	311mm (D) x 286mm (W) x 178mm (H)

Accessory

- ♦ TBD

Ordering Information

- ♦ NCr-303-VHR (P/N: 10HR0030301X0)